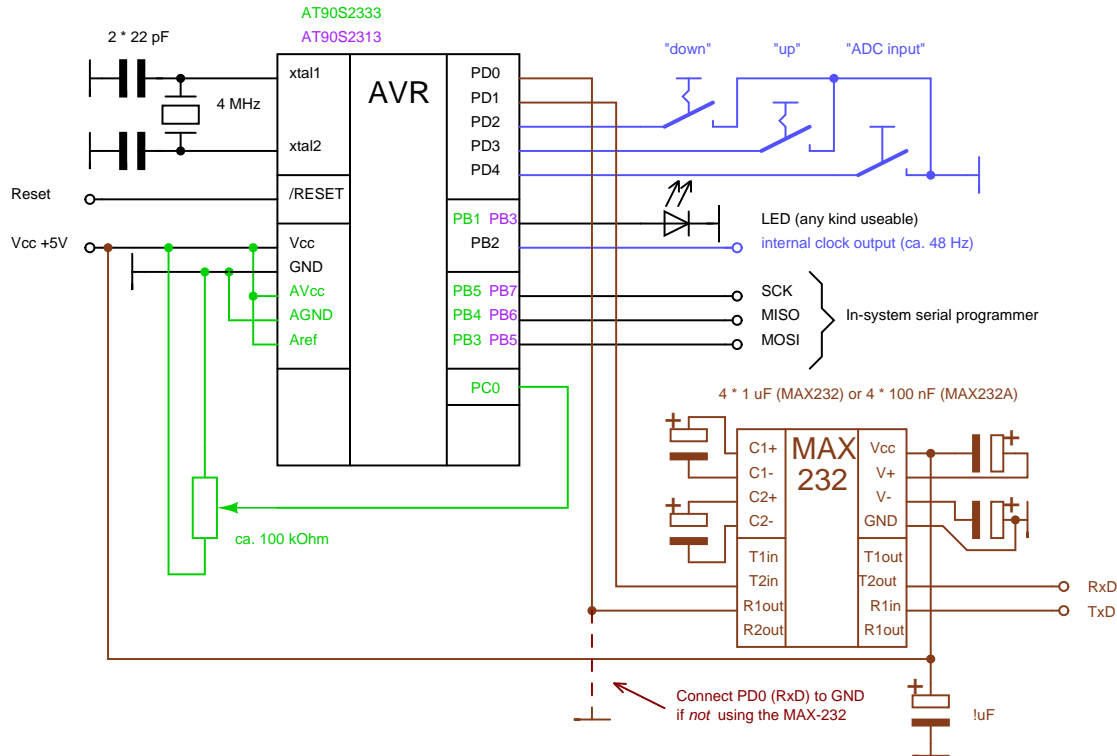


Black elements: required for all demos
 Blue elements: used for enhanced demo
 Brown elements: only required for serial connection
 Green elements: used for AT90S2333 part
 Magenta elements: used for AT90S2313 part



Alternate variant for RS-232 level converter:

This one doesn't guarantee correct RS-232 levels (i. e., it doesn't generate negative voltages), but it might happen to work with most of the serial interfaces used in PCs these days.

